

DATE: _____ (YY/MM/DD)

Customer : _____

APPROVAL SHEET

PRODUCT: AC ADAPTOR(RoHS Compliant)

MODEL: APS312-1210

PART NO.

V :

Receiver's stamp or signature

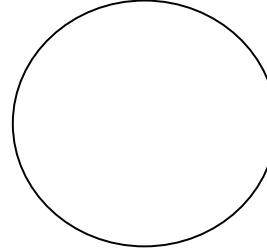
--

PLEASE APPROVE & RETURN BEFORE _____

OR WE WOULD REGARD IT BEEN CONFIRMED.

RESPONSIBLE	APPROVED	ISSUED
		HANMEI

ISSUES STAMP



Revised History

NO.	Revised Date	Description	Approved	Issued



Anthin Power Supply Co.,Ltd. (China)

TEL:+86-755-8980-7888

FAX:+86-755-8980-1111

<http://www.Anthin.cn>

info@anthin.cn

Anthin Japan Co.,Ltd. (Japan)

TEL:+81-45-730-5250

FAX:+81-45-730-5251

<http://www.Anthin.co.jp>

info@anthin.co.jp

Anthin	DESCRIPTION	SWITCHING POWER AC ADAPTER	SHEET NO.	1 OF 4
			VER:	
	MODEL NO.	APS312-1210	PART NO.	

1.INPUT REQUIREMENT

2.OUTPUT SPECIFICATION

3.MECHANICAL

4.RELIABILITY

5.ENVIRONMENT

6.OUTLOOKING

7.SAFETY

8.QC CHECK

9.DIMENSION

10.LABEL

11.PACKING

Anthin	DESCRIPTION	SWITCHING POWER AC ADAPTER	SHEET NO.	2 OF 4
	MODEL NO.	APS312-1210	VER:	
			PART NO.	

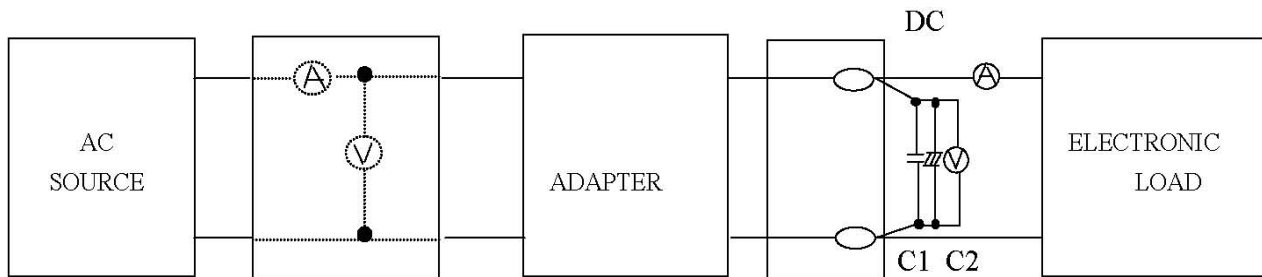
1.INPUT REQUIREMENT

ITEM	SPECIFICATION	MIN	TYP.	MAX
NORMAL AC INPUT VOLTAGE	SINGLE PHASE	100Vac	110Vac/220Vac	240Vac
AC INPUT VOLTAGE RANGE	SINGLE PHASE	90Vac	110Vac/220Vac	264Vac
AC INPUT FREQUENCY	SINGLE PHASE	47Hz	50/60Hz	63Hz
AC INPUT CURRENT	TYPICAL INPUT VOLTAGE& OUTPUT AT FULL LOAD.			300mA
AC INRUSH CURRENT	TYPICAL INPUT VOLTAGE& OUTPUT AT FULL LOAD , 25°C .			30A
EFFICIENCY	TYPICAL INPUT VOLTAGE& OUTPUT AT FULL LOAD	70%		

2.OUTPUT SPECIFICATION

ITEM	SPECIFICATION	MIN	TYP.	MAX
NORMAL DC OUTPUT VOLTAGE			12Vdc	
DC OUTPUT VOLTAGE RANGE	TYPICAL OUTPUT VOLTAGE $\pm 5\%$	11.4V		12.6V
LOAD CURRENT RANGE		0.1A		1A
PEAK LOAD CURRENT	TIME<60S			1.3A
RIPPLE	TYPICAL INPUT VOLTAGE , TYPICAL LOAD CURRENT , 25°C			120mV
HOLD-UP TIME	AT TYPICAL INPUT VOLTAGE AND FULL LOAD	10mS		
TURN-ON DELAY	TYPICAL INPUT VOLTAGE AND TUP LOAD CURRENT			1S
OVER CURRENT PROTECTION	AUTO RECOVERY			
SHORT CIRCUIT PROTECTRON	THE ADAPTER SHALL NOT DAMAGE BY SHORT THE DC OUTPUT TO GROUND			
OVER VOLTAGE PROTECTION			13.8V	16V

*TEST MEASURES



C1 : 0.1uF CERAMICS CAPACITOR
C2 : 10uF 50V ALUMINUM CAPACITOR

Anthin	DESCRIPTION	SWITCHING POWER AC ADAPTER	SHEET NO.	3 OF 4
	MODEL NO.	APS312-1210	VER:	
			PART NO.	

3.MECHANICAL

ITEM	SPECIFICATION OR TEST CONDITION	ACCEPTANCE CRITERIA
BENDING TEST	NORMAL TEMPERATURE THE CORD SHALL WITHSTAND WEIGHT OF 200g, SWINGING FROM LEFT TO RIGHT AT AN ANGLE OF 60 DEG. 1000CYCLE TIMES MIN. S/R SHALL WITHSTAND WEIGHT OF 1N. SWINGING FROM LEFT TO RIGHT AT AN ANGLE OF 60DEG. 1000CYCLE TIMES MIN. BENDING SPEED 40CYCLE/MINUTE	NO SHORT CIRCUIT NO BREAKAGE OF THE CORD
VIBRATION	FREQUENCY RANGE:10~55Hz AMPLITUDE:1.5mm ACCELERATION: 1G SWEEP 1 MINUTE FOR X,Y,Z,AXIS EACH	THERE SHALL BENO ABNORMALITY ON THE APPEARANCE STRUCTURE AND OPERATING

4.RELIABILITY

ITEM	TEST CONDITION	ACCEPTANCE CRITERIA
TEMPERATURE UP WITH TYPICAL LOAD	TEST AT SURFACE OF THE CASE WITH TYPICAL AC INPUT AND TYPICAL LOAD IN OUTPUT 50/60Hz	TEMPERATURE UP UNDER 35 DEGREES
HI-POT TEST	INPUT TO OUTPUT 3000Vac 3 SECONDS 5mA	NO DAMAGE
MTBF	TYPICAL INPUT&FULL LOAD , 25℃	50000 HOURS
LIFE	TYPICAL INPUT&FULL LOAD, 40℃ TYPICAL INPUT&FULL LOAD, 25℃	1YEARS ABOVE 2YEARS ABOVE
BURN-IN	AT 30℃ (±10℃),NORMAL INPUT VOLTAGE	2~4 HOURS

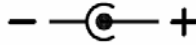
5.ENVIRONMENT

ITEM	SPECIFICATION OR TEST CONDITION	min.	typ.	max.
OPERATING TEMPERATURE		0℃		40℃
STORAGE TEMPERATURE		-20℃		85℃
OPERATING HUMIDITY	NON-CONDENSING	5%RH		90%RH
STORAGE HUMIDITY	NON-CONDENSING	5%RH		90%RH

Anthin	DESCRIPTION	SWITCHING POWER	SHEET NO.	4 OF 4
		AC ADAPTER	VER:	
	MODEL NO.	APS312-1210	PART NO.	

6.OUTLOOKING

DIMENSION :60.2(L)X44(W)X26.2(H)mm
 WEIGHT :ABOUT 120g
 AC INPUT TYPE : WALL MOUNT
 DC OUTPUT TYPE : 5.5x2.1x9.5 S TYPE



DC OUTPUT CABLE :USE 2468 22AWG WIRE ROHS COMPLIANT
 INDICATION :LABEL ROHS COMPLIANT
 CASE MATERIAL :94V-0 ABS+PC ROHS COMPLIANT
 PCB MATERIAL :94V-0 ROHS COMPLIANT

7.SAFETY

COMPLY SAFETY STANDARDS	STANDARD	FILE NO.
UL CUL		E332785
PSE		JQE12433

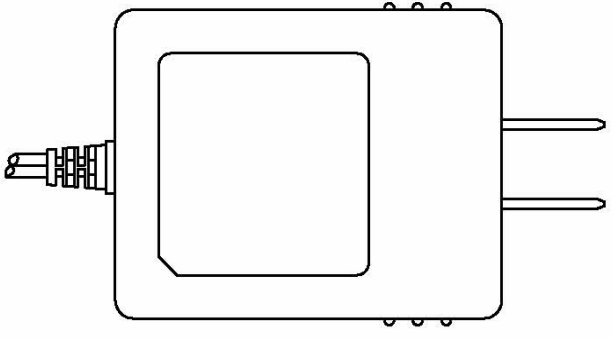
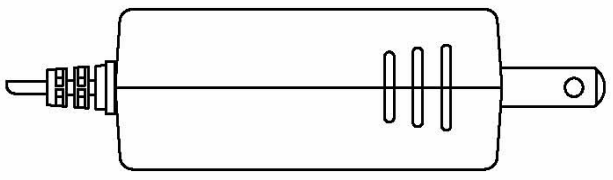
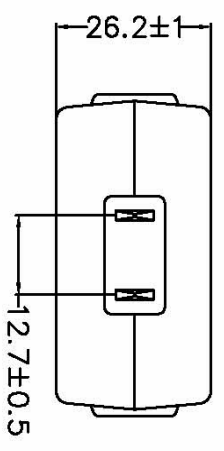
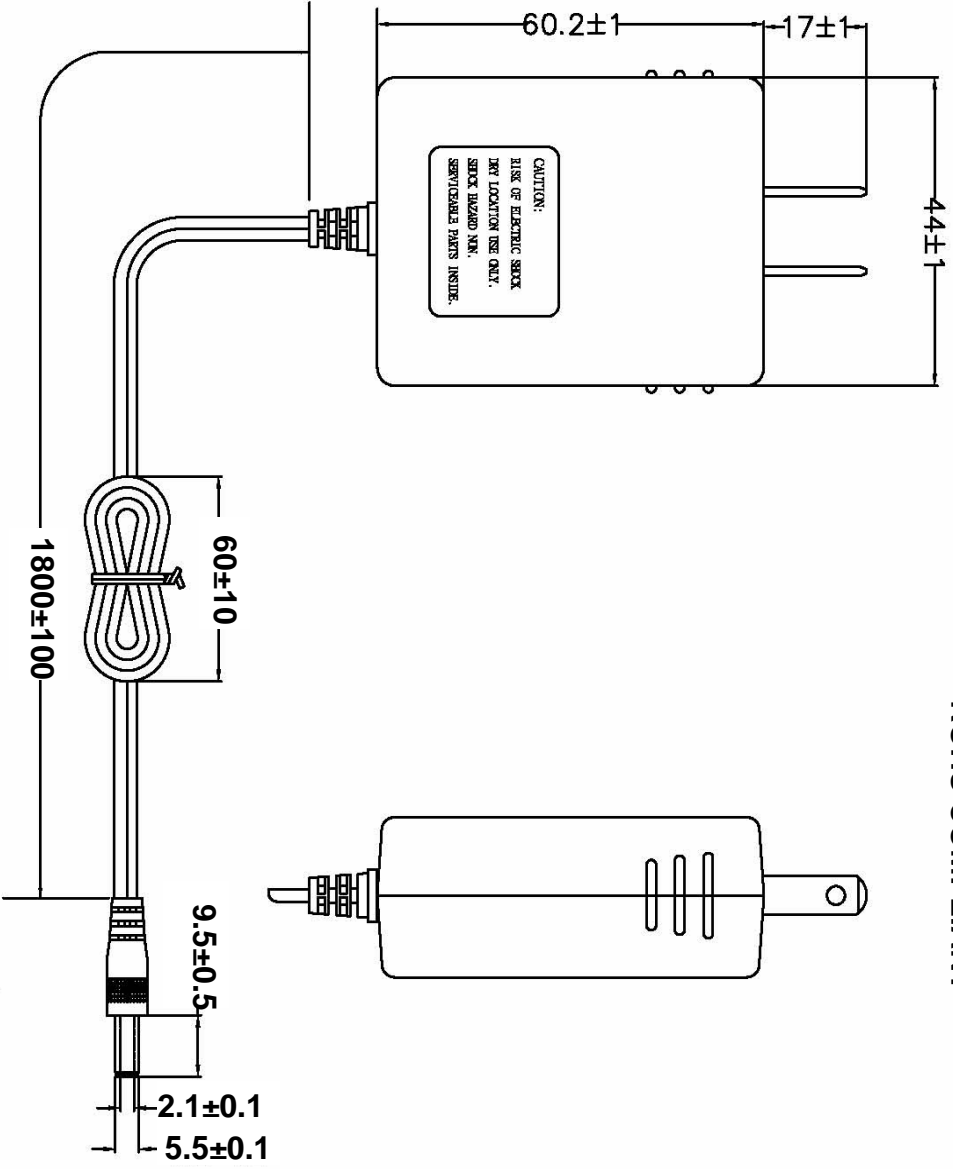
EMI
FCC

8.QC CHECK

ALL OF THE QUANTITY SHALL BE CHECKED BEFORE SHIPMENT,CHECK ITEM AS BELOW:

- (1)DC PLUG POLE CHECK
- (2)OCP FUNCTION CHECK
- (3)DC OUTPUT VOLTAGE CHECK
- (4)HIPOT&INSULATION CHECK
- (5)OUTLOOKING CHECK

ROHS COMPLIANT



TOLERANCE		FINISH		UNIT	REF.	REV.	NAME
1.54	30.05	30.09	30.1				
4-16.50	30.0	30.1	30.2	XXX	XXXX		
20-16.50	30.1	30.2	30.3	XXX	XXXX		
30-16.50	30.15	30.2	30.3	XXX	XXXX		
40-16.50	30.2	30.4	30.5	XXX	XXXX		
50-16.50	30.3	30.4	30.5	XXX	XXXX		
60-16.50	30.3	30.4	30.5	XXX	XXXX		
70-16.50	30.3	30.4	30.5	XXX	XXXX		
80-16.50	30.3	30.4	30.5	XXX	XXXX		
90-16.50	30.3	30.4	30.5	XXX	XXXX		
100-16.50	30.3	30.4	30.5	XXX	XXXX		
110-16.50	30.3	30.4	30.5	XXX	XXXX		
120-16.50	30.3	30.4	30.5	XXX	XXXX		
130-16.50	30.3	30.4	30.5	XXX	XXXX		
140-16.50	30.3	30.4	30.5	XXX	XXXX		
150-16.50	30.3	30.4	30.5	XXX	XXXX		
160-16.50	30.3	30.4	30.5	XXX	XXXX		
170-16.50	30.3	30.4	30.5	XXX	XXXX		
180-16.50	30.3	30.4	30.5	XXX	XXXX		
190-16.50	30.3	30.4	30.5	XXX	XXXX		
200-16.50	30.3	30.4	30.5	XXX	XXXX		
210-16.50	30.3	30.4	30.5	XXX	XXXX		
220-16.50	30.3	30.4	30.5	XXX	XXXX		
230-16.50	30.3	30.4	30.5	XXX	XXXX		
240-16.50	30.3	30.4	30.5	XXX	XXXX		
250-16.50	30.3	30.4	30.5	XXX	XXXX		
260-16.50	30.3	30.4	30.5	XXX	XXXX		
270-16.50	30.3	30.4	30.5	XXX	XXXX		
280-16.50	30.3	30.4	30.5	XXX	XXXX		
290-16.50	30.3	30.4	30.5	XXX	XXXX		
300-16.50	30.3	30.4	30.5	XXX	XXXX		
310-16.50	30.3	30.4	30.5	XXX	XXXX		
320-16.50	30.3	30.4	30.5	XXX	XXXX		
330-16.50	30.3	30.4	30.5	XXX	XXXX		
340-16.50	30.3	30.4	30.5	XXX	XXXX		
350-16.50	30.3	30.4	30.5	XXX	XXXX		
360-16.50	30.3	30.4	30.5	XXX	XXXX		
370-16.50	30.3	30.4	30.5	XXX	XXXX		
380-16.50	30.3	30.4	30.5	XXX	XXXX		
390-16.50	30.3	30.4	30.5	XXX	XXXX		
400-16.50	30.3	30.4	30.5	XXX	XXXX		
410-16.50	30.3	30.4	30.5	XXX	XXXX		
420-16.50	30.3	30.4	30.5	XXX	XXXX		
430-16.50	30.3	30.4	30.5	XXX	XXXX		
440-16.50	30.3	30.4	30.5	XXX	XXXX		
450-16.50	30.3	30.4	30.5	XXX	XXXX		
460-16.50	30.3	30.4	30.5	XXX	XXXX		
470-16.50	30.3	30.4	30.5	XXX	XXXX		
480-16.50	30.3	30.4	30.5	XXX	XXXX		
490-16.50	30.3	30.4	30.5	XXX	XXXX		
500-16.50	30.3	30.4	30.5	XXX	XXXX		

Anni

SCALE

DWG NO.

XXX

REF.

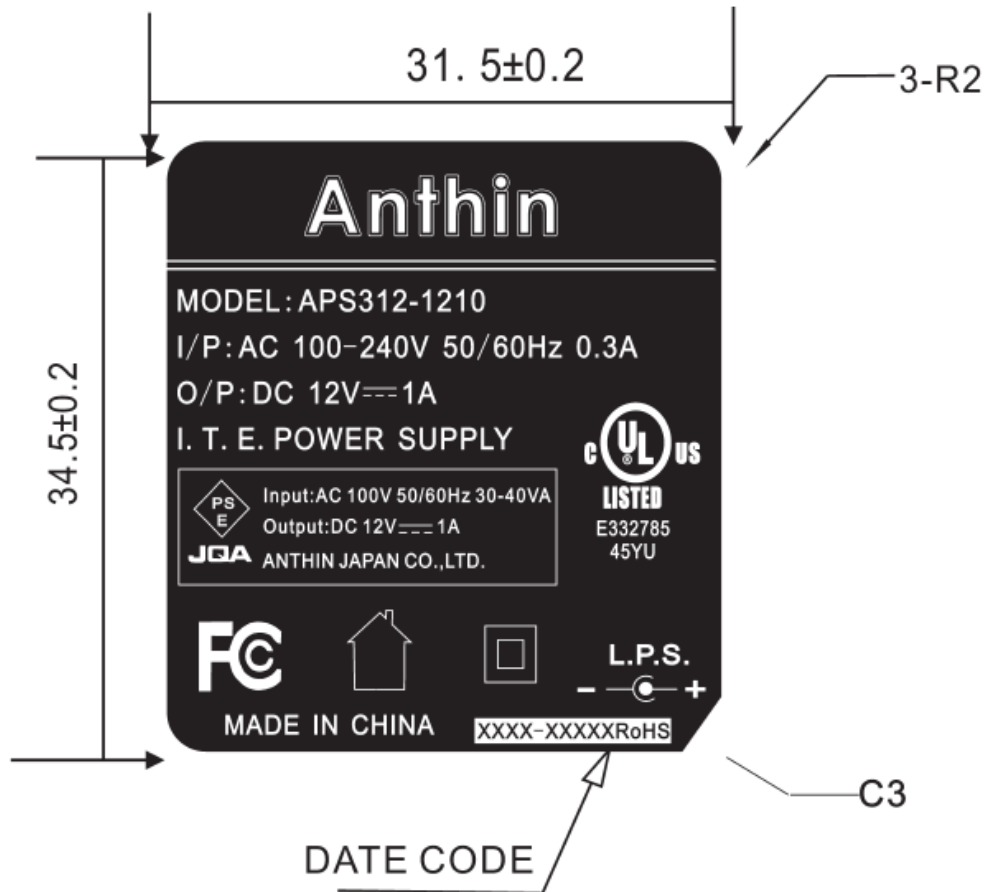
XXXX

REV.

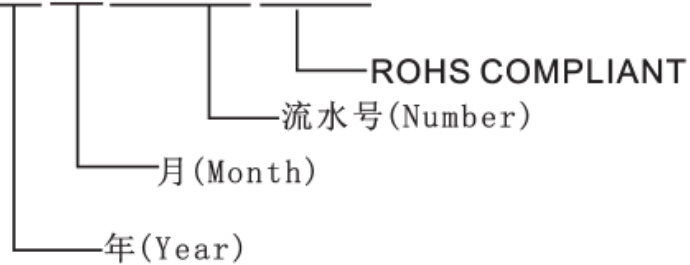
XXXX

PART NO.

XXXX



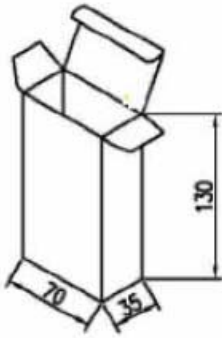
XXXX-XXXXRoHS



NOTE:

- 1.SILVER WORD ON BLACK BASE.
- 2.MATERIAL:PVC + MYLAR FILM.
- 3.RoHS COMPLIANT.

TOLERANCE					FINISH	NAME: LABEL	
L ≤ 4	0.05	0.08	0.1	0.2		MATERIAL	QTY
4 < L ≤ 20	0.08	0.1	0.2	0.3			
20 < L ≤ 50	0.1	0.15	0.3	0.4	UNIT	mm	PART NO.
50 < L ≤ 200	0.15	0.25	0.4	0.6			
200 < L	0.2	0.4	0.5	0.8	SCALE	REF.	
DEG.	CHKD.	APPD.	UNIT		REM.		
Anni							



成品1PCS放入小白盒
 小白盒外径尺寸：长X宽X高
 L×W×H(70×35×130)mm
 TOLERANCE:±1

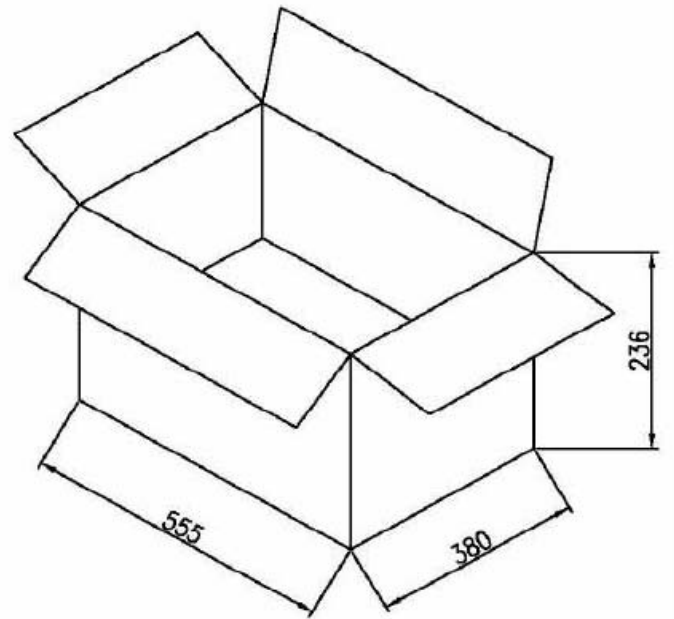
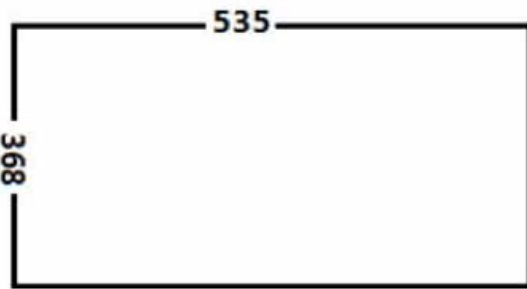
WHITE INNER BOX+OUT CARTON

WHITE INNER BOX OUT SIDE DIMENSION:

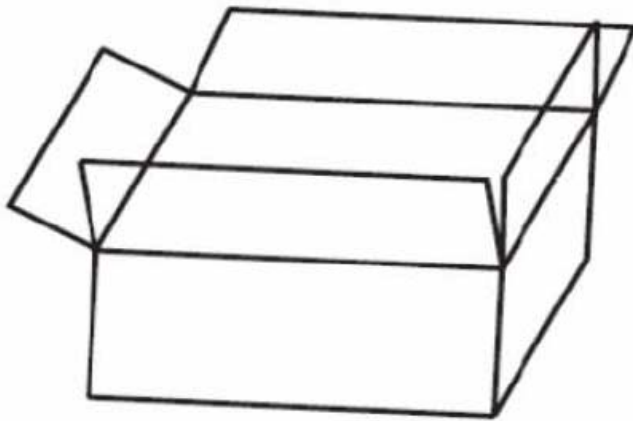
L×W×H(70×35×130)

TOLERANCE:±1

ROHS COMPLIANT



成品120PCS装入外箱内
 外箱3段:K=K
 外径尺寸：长X宽X高
 L555 X W380 XH236
 平卡尺寸:长 X 宽
 L535 X W368mm



TOLERANCE				FINISH			NAME	12.PACKING
L<4	4<L<20	20<L<50	50<L<200		MATERIAL	REV.		
±0.05	±0.08	±0.1	±0.2					
±0.08	±0.1	±0.2	±0.3					
±0.1	±0.15	±0.3	±0.4					
±0.15	±0.25	±0.4	±0.6					
±0.2	±0.4	±0.5	±0.8					
DEG.	CHKD.	APPD.	UNIT mm				PART NO.	
Anni			SCALE					
			REF.					
			DWG NO.					